

# Amica

**AEP60BL**

**AEP90BL**

## **INSTRUCTIONS FOR USE**

---

Angled Extractor

Before starting the appliance, please read this operating manual carefully.

## CONTENTS

---

<b>Important information</b> .....	3
<b>Important notes</b> .....	4
<b>Ducting</b> .....	5
<b>Using your extractor</b> .....	7
<b>Care and maintenance</b> .....	9
<b>Changing the charcoal filter</b> .....	10
<b>LED lighting</b> .....	11
<b>Electrical information</b> .....	12
<b>Troubleshooting</b> .....	14
<b>Mounting your extractor</b> .....	15
<b>Installation</b> .....	16
<b>Installation diagrams</b> .....	17
<b>Installation diagrams</b> .....	18
<b>Energy efficiency information</b> .....	19

## IMPORTANT INFORMATION

---

Amica International cannot be held responsible for injuries or losses caused by incorrect use or installation of this product. Please note that Amica reserve the right to invalidate the guarantee supplied with this product following incorrect installation or misuse of the appliance or use in a commercial environment.

This appliance is not designed to be used by people (including children) with reduced physical, sensorial or mental capacity, or who lack experience or knowledge about it, unless they have had supervision or instructions on how to use the appliance by someone who is responsible for their safety.

Under no circumstances should any external covers be removed for servicing or maintenance except by suitably qualified personnel.

### **Appliance information:**

Please enter the details on the appliance rating plate below for reference, to assist Amica Customer Care in the event of a fault with your appliance and to register your appliance for guarantee purposes.

Appliance Model

Serial Number

### **EU Declarations of Conformity:**

This appliance has been manufactured to the strictest standards

---

## IMPORTANT NOTES

---

and complies with all applicable legislation, including Gas safety, Electrical safety (LVD) and Electromagnetic interference compatibility (EMC).

## IMPORTANT INFORMATION FOR CORRECT DISPOSAL OF THE PRODUCT IN ACCORDANCE WITH EU DIRECTIVE 2012/19/EU.

At the end of its working life, the product must be taken to a special local authority waste collection centre or to a dealer providing appliance recycling services.

Disposing of a household appliance separately avoids possible negative consequences for the environment and health. It also enables the constituent materials to be recovered, saving both energy and resources. As a reminder of the need to dispose of household appliances separately, the product is marked with a crossed-out wheeled dustbin.

### **Please note:**

- Under no circumstances should the extractor be connected to any gas ventilation system, flue system or hot air ducting system.
- Do not vent the extractor into an attic or loft space.
- Only house the extractor in rooms with adequate ventilation. Remember that the extractor is powerful and whatever air is extracted needs to be replaced.
- Do not tile the extractor in. It should be removable for service or maintenance.

- Do not use silicone sealant to secure the hood to the wall.
- You must be able to isolate the extractor from the mains electrical supply after installation.
- This appliance has been designed to be used in a room with a volume of less than 36m<sup>3</sup>.
- Steam cleaners must not be used when cleaning this appliance.
- The performance of your extractor will vary depending on a number of factors. These include: type of extraction, length of ducting, room volume, ventilation available and cleanliness of the filters.

### Ducting

For best performance and lowest noise output, we recommend the use of 125mm ducting. Lesser diameter ducting may be used but this will reduce performance and increase the noise of the extractor. Wherever possible use the rigid circular pipe which has a smooth interior, rather than the expanding concertina type ducting. The lengths of the ducting without performance being affected are as follows:

- 4 metres with 1 x 90° bend.
- 3 metres with 2 x 90° bends.
- 2 metres with 3 x 90° bends.

### Note:

We recommend that you seek the help of another individual when installing this product.

## DUCTING

---

We recommend that you wear PPE when handling this extractor. The fixings supplied are suitable for most installations. It is the responsibility of the installer to ensure that the fixings are suitable for the ceiling type in the property.

Cover any hob, or surface below the area in which the extractor is to be installed, so that no damage befalls it.

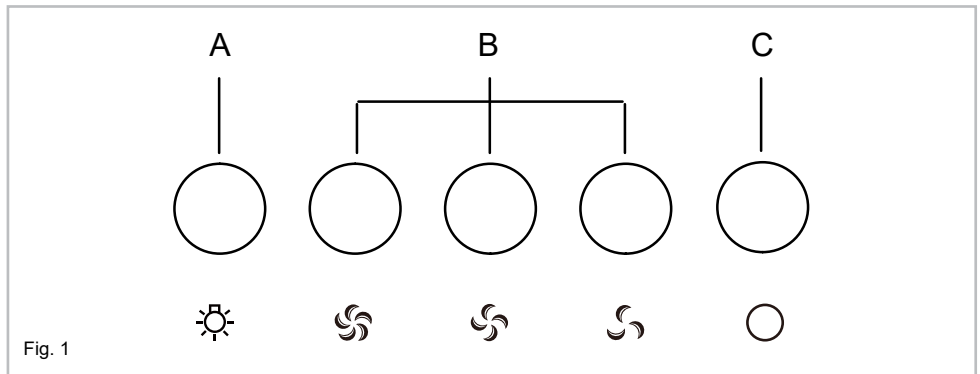
For best performance, you should switch on the extractor 15 minutes before starting to cook and leave it to run for approximately 15 minutes after the end of cooking.

### Control Panel

A - Light button

B - Speed level buttons

C - Power off button



### To switch the extractor light on or off:

- Press button “A”.

### To switch on the extractor or to change the speed at any time when the extractor is running:

- Press the relevant “B” button for the first, second or third speed level as required.

### To switch the extractor off:

- Press button “C”.

**IMPORTANT : DO NOT PERFORM MAINTENANCE OR CLEANING OF THE EXTRACTOR WITHOUT FIRST SWITCHING OFF THE ELECTRICITY SUPPLY. NEVER USE STEAM CLEANERS TO CLEAN THE APPLIANCE.**

### Cleaning

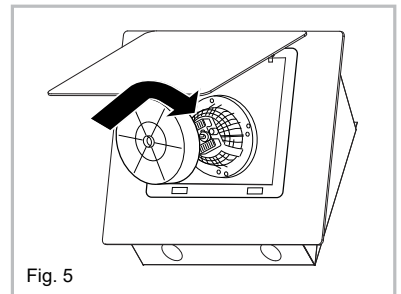
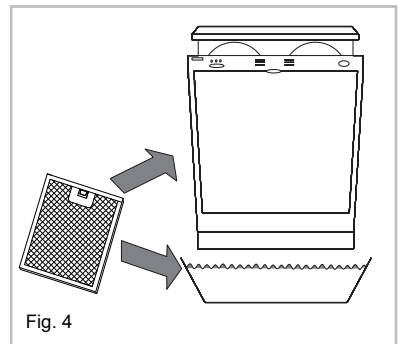
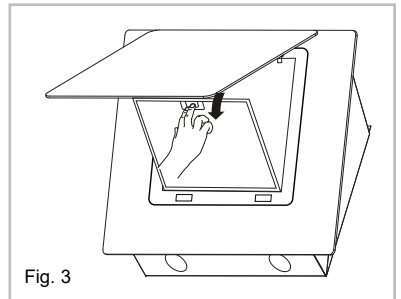
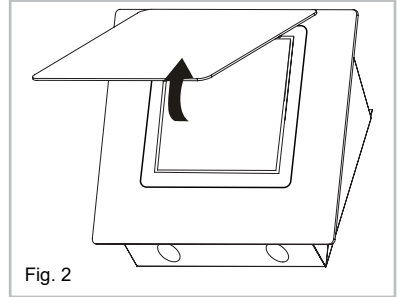
You should use a non-abrasive cleaner. Any abrasive cleaner (including Cif) will scratch the surface and could erase the control panel markings.

You can clean your extractor effectively by simply using a dilute solution of water and mild detergent and drying to a shine with a clean cloth, for example a micro-fibre cloth.

### Cleaning the grease filter

The grease filter should be kept clean to minimise the risk of fire.

At least once a month you should remove and clean the grease filter





## CHANGING THE CHARCOAL FILTER

---

with hot soapy water. You can also wash the grease filter in a dishwasher, ensuring that you place it in an upright position to prevent damage from other items in the dishwasher.

To remove the grease filter, push in the button on the handle and then pull down on the filter at the front as shown in figure 3. When you have released it at the top, then you can pull the filter out completely.

After rinsing and drying, reassemble the grease filter to the hood by reversing the removal process.

### **Please note:**

Cleaning the grease filter in the dishwasher may lead to discolouration. This is normal and does not constitute a fault with the appliance.

### **Changing the charcoal filter (re-circulating mode only)**

To ensure best performance of your extractor, you should replace the charcoal filter every four to six months, depending on use.

### **To attach the charcoal filter:**

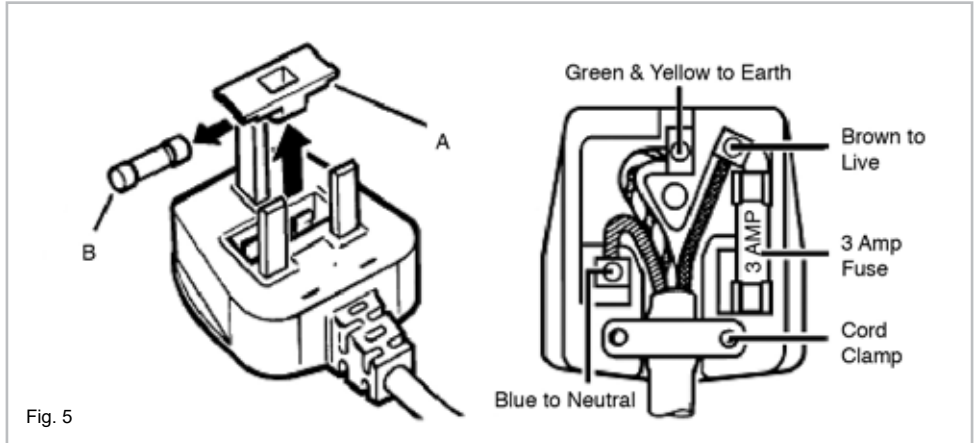
- Remove the grease filter as described on the previous page.
- Following the grooves on the extractor motor and on the filter, place the charcoal filter over the motor and turn it clockwise (right). Do not over-turn the filter.
- Finally, replace the grease filters.

The light bulbs are high efficiency 2W LEDs and are not user-replaceable. The lighting is designed for use during cooking and not for general room illumination. Extended use of the lights will reduce the lifespan of the bulbs. In the event of a problem with the lighting please contact Amica Customer Care for assistance.

Contact details are on page 13.

## ELECTRICAL INFORMATION

**Warning! This appliance must be earthed.**



The mains lead of this appliance has been fitted with a BS 1363A 3 amp fused plug. To change a fuse in this type of plug, follow the steps below:

1. Remove the fuse cover and fuse.
2. Fit replacement 3A fuse, ASTA approved to BS 1362 type, into the fuse cover.
3. Replace fuse cover.

**Important: Do not use the appliance without the fuse cover in position.**

As the colours of the wires in the mains lead of this appliance may not correspond with the coloured markings identifying the terminals in your plug, proceed as follows:-

- The wire which is coloured **GREEN** and **YELLOW** must be connected to the terminal which is marked with letter **(E)** or by the **Earth** symbol or coloured **GREEN** and **YELLOW**.

## ELECTRICAL INFORMATION

---

- The wire which is coloured **BLUE** must be connected to the terminal which is marked with the letter **(N)**, or coloured **BLACK**.
- The wire which is coloured **BROWN** must be connected to the terminal which is marked with the letter **(L)** or coloured **RED**.

If in doubt regarding the electrical connection of this appliance, consult a qualified electrician. Do not shorten the supply cable, the appliance may require removing for servicing.

**N.B. Ensure that the plug socket is situated in an easily accessible place.**

**If the power supply cord is damaged, it must be replaced by an Amica authorised agent.**

## TROUBLESHOOTING

---

### **Please note:**

Your extractor is equipped with a motor protection device that will switch off the motor to prevent damage from overheating. This may happen during cooking when most or all of the zones/burners are being used simultaneously, or if your extractor is installed incorrectly, lower than the recommended height.

This is normal, and the extractor will work again once the motor has cooled sufficiently.

### **If your extractor is not working:**

1. Check that the mains supply has not been switched off.
2. Check that the fuse in the plug has not blown.
3. Check that the control panel is clean and free from grease.

### **Contact Amica Customer Care**

#### **A: Amica**

The CDA Group Building,  
Harby Road,  
Langar,  
Nottinghamshire,  
NG13 9HY

**T:** (UK) 01949 862 012

**T:** (Ireland) 1-800-535556

**F:** 01949 862 003

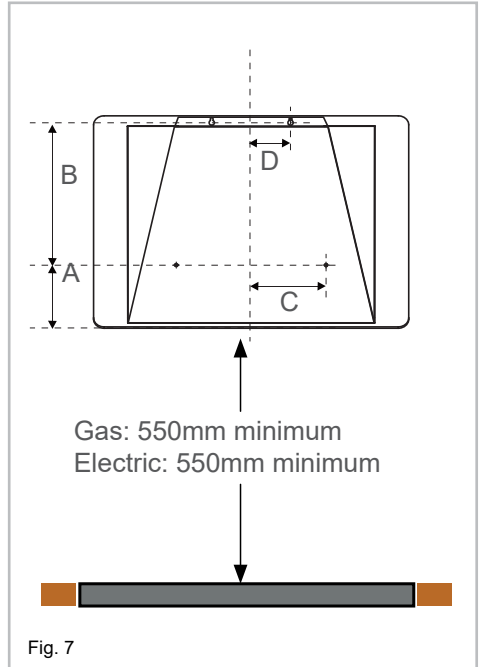
**E:** [customer.care@cda.eu](mailto:customer.care@cda.eu)

**W:** [www.amica-international.co.uk](http://www.amica-international.co.uk)

## MOUNTING YOUR EXTRACTOR

When the extractor is to be installed above an Amica hob, the minimum distance between the hob and extractor must exceed 550mm.

If the instructions provided with another brand of gas hob state that the required distance between the hob and extractor must be greater than 550mm, then that is the distance that should be observed; this is a legal requirement and may lead to your hob being disconnected from the gas supply and the installation being reported under RIDDOR.



AEP60BL / AEP90BL	
A	128mm
B	218mm
C	119mm
D	75mm

**Note:** The height should be measured from the top of the burners.

**IN THE ABSENCE OF ANY INSTRUCTIONS SUPPLIED WITH THE GAS HOB, THE MINIMUM DISTANCE BETWEEN THE HOB AND EXTRACTOR MUST BE AT LEAST 760mm.**

The width of any hob must not be greater than the width of the extractor installed above it.

## INSTALLATION

---

The metal casing of this appliance has been coated with a preservative to protect it during transport and storage. This should be removed during installation by using a non-abrasive stainless steel cleaner. Always follow the instructions given with the cleaner being used. Please ensure that there is no power being supplied to the appliance whilst you do this.

When correctly installed, your product meets all safety requirements laid down for this type of product. However, special care should be taken around the rear of the appliance as these areas are not designed nor intended to be touched and may contain sharp or rough edges that could cause injury. Always wear adequate Personal Protective Equipment (PPE).

### Ducting and ventilation

For best performance and lowest noise output, we recommend the use of 125mm ducting. 100mm ducting may be used but this will reduce performance and increase the noise of the extractor.

### Note:

- We recommend that you seek the help of another individual when installing this product.
- The fixings supplied are suitable for most installations. It is the responsibility of the installer to ensure that the fixings are suitable for the ceiling type in the property.
- Please cover any hob, or surface below the area in which the extractor is to be installed, so that no damage befalls it.

## INSTALLATION DIAGRAMS

Tools required

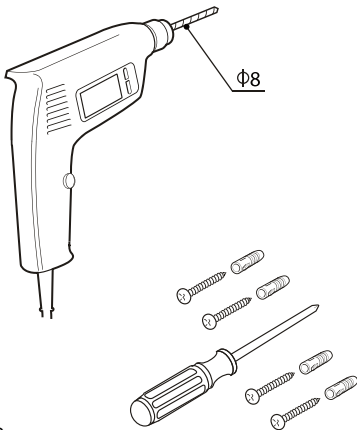


Fig. 8

Mark out wall as required, see Fig 7.

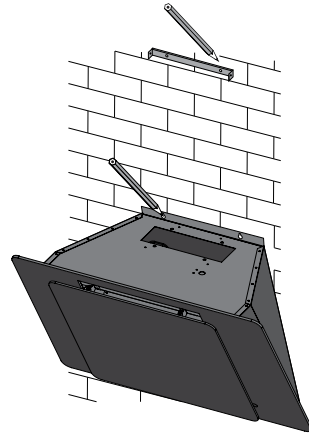


Fig. 9

Drill six mounting holes

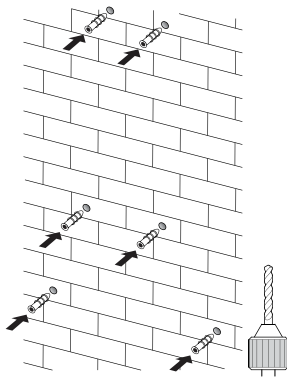


Fig. 10

Fit wall fixings and top screws. Ensure that any fixings you use are appropriate for the wall type.

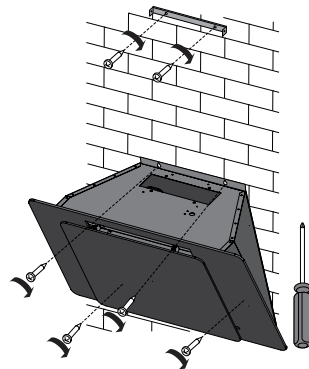


Fig. 11

**IMPORTANT SAFETY WARNING: ONLY USE THE SCREWS PROVIDED WITH THE EXTRACTOR TO MOUNT THE DUCTING ADAPTOR. THE USE OF LONGER SCREWS MAY CAUSE DAMAGE TO THE INTERNAL WIRING WHICH WILL NOT BE COVERED BY THE WARRANTY.**



# INSTALLATION DIAGRAMS

Fit the ducting adaptor.

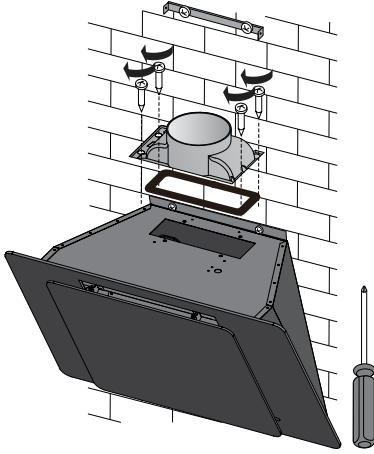


Fig. 12

Fix ducting and seal joints.

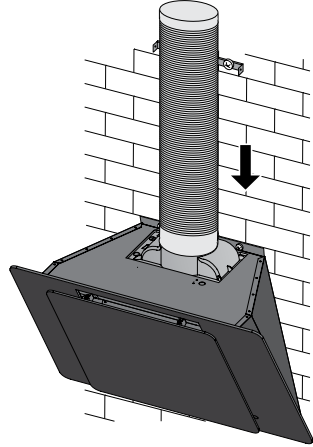


Fig. 13

Mount the chimney.

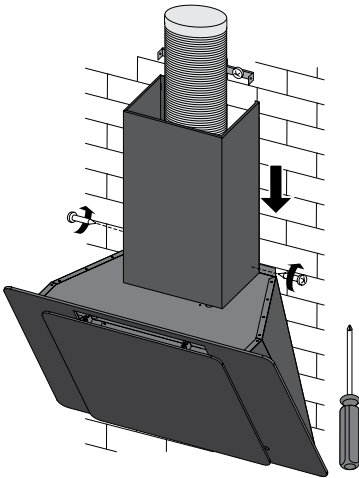


Fig. 14

Adjust and secure the chimney.

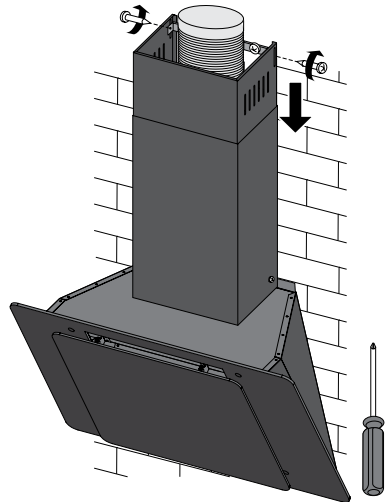


Fig. 15

## ENERGY EFFICIENCY INFORMATION

Energy Efficiency Information		
Attribute	Symbol	Value
Annual Energy Consumption	$AEC_{Hood}$	45.2 kWh
Time increase factor	f	1.3
Fluid Dynamic Efficiency	$FDE_{Hood}$	19.0
Energy Efficiency Index	$EI_{Hood}$	68.0 (B)
Measured airflow at Best Efficiency Point	$Q_{BEP}$	186.5m <sup>3</sup> /h
Measured Pressure at Best Efficiency Point	$P_{BEP}$	326Pa
Maximum airflow	$Q_{MAX}$	350m <sup>3</sup> /h
Measured electric power at Best Efficiency Point	$W_{BEP}$	89.0W
Normal lighting power	WL	4W
Average illumination of lighting system in the cooking surface	$E_{Middle}$	450Lux
Measure power consumption in standby	$P_S$	--
Measure power consumption off mode	$P_O$	0
Sound power level	$L_{WA}$	64dBA
Grease Filter Efficiency	$GFE_{Hood}$	37% (G)
Lamp Efficiency	$LE_{Hood}$	112% (A)

E & O E. All instructions, dimensions and illustrations are provided for guidance only. Amica reserve the right to change specifications without prior notice.



# Amica

**For service or queries please contact:**

The Customer Care Department

For the UK: please call **01949 862 012**

For Ireland: please call **1-800-535556**

Email: **[customer.care@cda.eu](mailto:customer.care@cda.eu)**

**Amica UK,**  
The CDA Group Building,  
Harby Road,  
Langar,  
Nottinghamshire,  
NG13 9HY

---