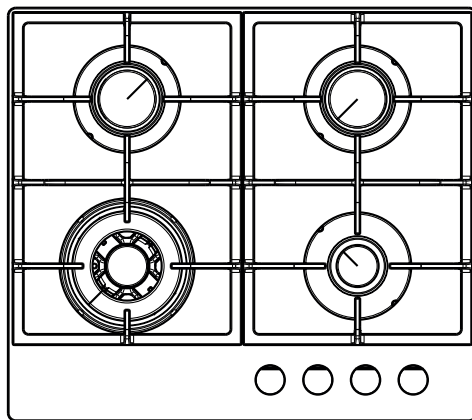


# Amica

PGA4.1ZpZtApGb

AGVH6250BL



## INSTRUCTION MANUAL

### GAS HOB

## DEAR CUSTOMER,

---

*Your hob is exceptionally easy to use and extremely efficient. After reading these Operating Instructions, operating the appliance will be easy.*

*Before being packaged and leaving the manufacturer, the appliance was thoroughly checked with regard to safety and functionality.*

*Before using the appliance, please read these Operating Instructions carefully. By following these instructions carefully you will be able to avoid any problems in using the appliance.*

*It is important to keep these Operating Instructions and store them in a safe place so that they can be consulted at any time.*

**Follow these instructions carefully in order to avoid possible accidents.**

### **Important!**

*The appliance may only be operated when you have read and understood this manual thoroughly.*


*The appliance can be only used for the purpose for which it was designed. Any other use (eg. heating rooms) is improper and can be dangerous.*

*The manufacturer reserves the right to introduce changes which do not affect the operation of the appliance.*

### **Manufacturer's Declaration**

The manufacturer hereby declares that this product meets the requirements of the following European directives and regulations:

- **Low Voltage Directive 2014/35/EC**
- **Electromagnetic Compatibility (EMC) Directive 2014/30/EC**
- **ErP Directive 2009/125/EC**
- **Directive RoHS 2011/65/EC**
- **Regulation (EU) 2016/426 of the European Parliament and of the Council**

and has thus been marked with the  symbol and been issued with a declaration of compliance made available to market regulators.

# TABLE OF CONTENTS

---

<b>Basic Information</b> .....	2
<b>Safety instructions</b> .....	4
<b>Description of the appliance</b> .....	9
<b>Specification</b> .....	9
<b>Installing</b> (instructions for the installer).....	10
<b>Operation</b> .....	18
<b>Cleaning and maintenance</b> .....	22
<b>Troubleshooting</b> .....	23

## SAFETY INSTRUCTIONS FOR USE

---

**Note.** The appliance and its accessible parts become hot during use. Care should be taken to avoid touching heating elements. Children less than 8 years of age shall be kept away unless continuously supervised.

This appliance can be used by children aged from 8 years and above and persons with reduced physical, sensory or mental capabilities or lack of experience and knowledge if they have been given supervision or instruction concerning use of the appliance in a safe way and understand the hazards involved. Children shall not play with the appliance. Cleaning and user maintenance shall not be performed by children without supervision.

**Note.** Unattended cooking on a hob with fat or oil can be dangerous and may result in fire.

NEVER attempt to extinguish fire with water. Unplug the appliance and cover flame with lid or non-combustible blanket.

**Note.** Risk of fire: do not store anything on the cooking surface.

The appliance is not intended to be operated by means of an external timer or separate remote-control system.

Do not use steam cleaning equipment to clean the hob.

**Note.** Use only hob covers designed or indicated by the appliance manufacturer as suitable or hob covers supplied with the appliance.

Use of inappropriate covers can cause accidents.

## SAFETY INSTRUCTIONS FOR USE

---

**Caution:** The cooking process has to be supervised. A short term cooking process has to be supervised continuously.

**Warning:** Use only hob guards designed by manufacturer of the cooking appliance or indicated by the manufacturer of the appliance in the instructions for use as suitable or hob guards incorporated in the appliance. The use of inappropriate guards can cause accidents.

- This appliance must be installed in accordance with the applicable regulations and used only in a well-ventilated room. Before you install and use the appliance, carefully read the operating instructions.
- Children shall not play with the appliance.  
Hot burners, grids, pots with hot liquids may cause burns to children.
- Make sure that the power cords of other equipment do not touch any hot surfaces of the appliance.
- The power cord wall plug should be accessible after appliance has been installed.
- Do not install the appliance near the cooling equipment.
- Do not leave the appliance unattended while cooking. Oils and fats may catch fire due to overheating.
- Make sure that liquids do not boil over onto the burners.
- If there is damage to the appliance it can be reused after the defect is repaired by a trained professional.
- Do not open the valve on the gas connection or the valve on the gas cylinder before you make sure that all valves are closed.
- Do not allow liquids to boil over onto the burners and avoid burner contamination. Soiled burners must be cleaned and dried immediately after cooling.
- Do not place pots directly on the burners.
- Do not place pots weighing more than 5 kg on the grid over one burner or more than 25 kg on the entire grid. Do not place one pot on two burners.
- Do not hit the knobs or burners.
- Persons without proper qualifications and training must not make any alterations or repair the appliance.
- Do not open the gas valves if you do not have a lighted match or an igniter in your hand.
- Do not extinguish the flame by blowing.
- Do not alter the appliance to allow it to be used with a different type of gas, or move the appliance to another place nor make any modifications in the gas supply system. These must be carried out by a qualified installer only.
- Do not allow young children and persons who have not read the operating instructions to use the appliance.

## NOTES ON SAFETY

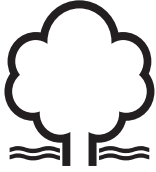
---

- **IF YOU SUSPECT A GAS LEAK, DO NOT:**

- light matches, smoke, turn on or off any electrical devices (door bell, light switch, etc.) and use other electrical or mechanical equipment that can produce an electrical or impact spark. In such a case, immediately close the valve on the gas cylinder or the gas system shut-off valve, ventilate the room and call a qualified person to remove the cause of the leak.
- In the event of any technical fault, immediately unplug the appliance (following the above rule) and report the fault to the service centre to be repaired.
- Do not connect any antenna cables, e.g. radio receivers to the gas system
- In the event of ignition of gas escaping from a leaking system, immediately shut off the gas supply using the shut-off valve.
- In the event of ignition of gas escaping from a leaking gas cylinder valve: cover the cylinder with a wet blanket to cool it and close the valve on the cylinder. Once cooled, move the gas cylinder out to the open air. Do not reuse the damaged gas cylinder.
- If you do not use the appliance for a few days, close the gas system main valve, and after each use in case of a gas cylinder.
- Important! If the power cord is damaged, it should be replaced by the manufacturer or specialist repair centre or a qualified person in order to avoid danger.
- Using the appliance for cooking and baking results in the emission of heat and moisture in the room in which it is installed. Make sure that kitchen is well ventilated. Natural ventilation openings or forced mechanical ventilation (exhaust hood) should be available.
- Prolonged intensive use of the appliance may require additional ventilation, for example, opening a window or a more effective ventilation, such as increasing efficiency of mechanical ventilation, if applicable.

# HOW TO SAVE ENERGY

---



Using energy responsibly not only saves money but also helps the environment. So let's save energy! And this is how you can do it:

- **Use proper pans for cooking.**

Pans with thick, flat bases can save up to 1/3 on electric energy. Remember to cover pans if possible otherwise you will use four times as much energy!

- **Match the size of the saucepan to the surface of the heating zone.**

Cookware base should never be smaller than cooking zone.

- **Ensure that heating zones and pan bases are clean.**

Soils can prevent heat transfer – and repeatedly burnt-on spillages can often only be removed by products which cause damage to the environment.

- **Do not uncover the pan too often (a watched pot never boils!)**

- **Turn off the appliance in time and use the residual heat.**

For long cooking times, turn off heating zones 5 to 10 minutes before finishing cooking. This saves up to 20% on energy.

- **Do not install the hob in the immediate vicinity of refrigerator / freezer.**

Otherwise energy consumption increases unnecessarily.

## UNPACKING

---



The appliance was packed to protect it from damage during of transport. After unpacking, please dispose of all elements of packaging in a way that will not cause

damage to the environment.

All materials used for packaging the appliance are environmentally friendly; they are 100% recyclable and are marked with the appropriate symbol.

Important! During unpacking, keep the packaging material (polyethylene bags, polystyrene pieces, etc.) out of reach of children.

## DISPOSAL OF THE APPLIANCE

---



In accordance with European Directive 2012/19/UE and Polish legislation regarding used electrical and electronic goods, this appliance is marked with the symbol of the crossed-out waste container.

This marking indicates that the appliance must not be disposed of together with other household waste after it has been used.

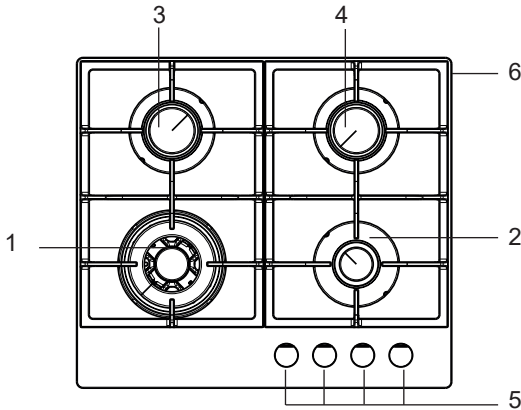
The user is obliged to hand it over to waste collection centre collecting used electrical and electronic goods. The collectors, including local collection points, shops and local authority departments provide recycling schemes.

Proper handling of used electrical and electronic goods helps avoid environmental and health hazards resulting from the presence of dangerous components and the inappropriate storage and processing of such goods.



## DESCRIPTION OF THE APPLIANCE

### Gas hob PG 4.1\*



- 1,2,3,4 - top burners
- 5 - burner knobs  
with igniter switch
- 6 - grids

## SPECIFICATION

- height 52 mm
- depth 520 mm
- width 590 mm
- weight of the appliance 10,3 kg

The appliance is equipped with burners:

- 1 - WOK burner, heat load - 2.8 kW
- 2 - medium large burners, heat load - 1.8 kW
- 3 - small burner, heat load - 1.0 kW

Class of the appliance GB II<sub>2H3+</sub>

The appliance has a pipe connection - G 1/2"

(\*) colour of the appliance: W-white, B-black

# INSTALLATION INSTRUCTIONS

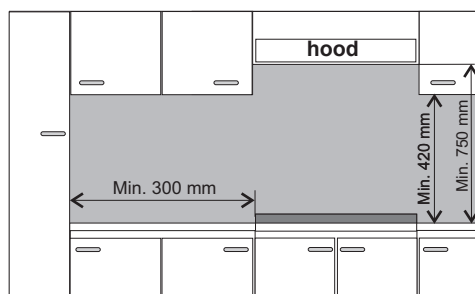
The following instructions are intended for a qualified professional installer. These instructions are intended to provide the most professional installation and maintenance of the appliance.



- Before you install the appliance, make sure that the local distribution conditions (gas type and pressure) and the appliance configuration is appropriate.
- Configuration details are given on the appliance nameplate.
- This appliance is not connected to flues. The appliance must be installed and connected in accordance with the current regulations. In particular, consideration must be given to the applicable requirements for ventilation.

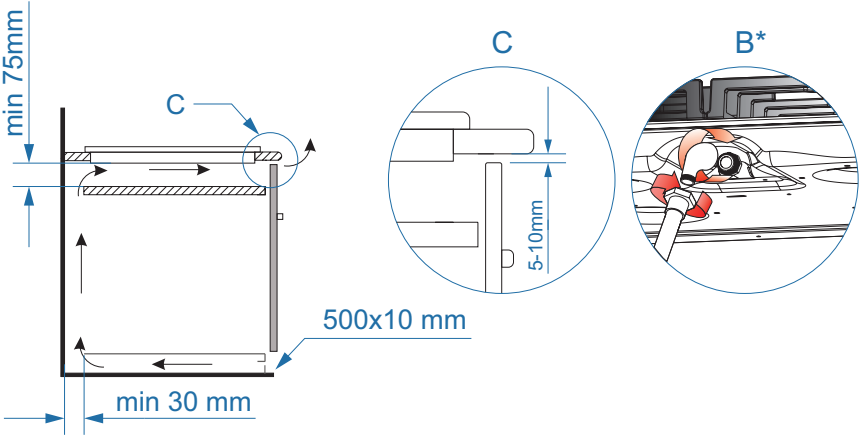
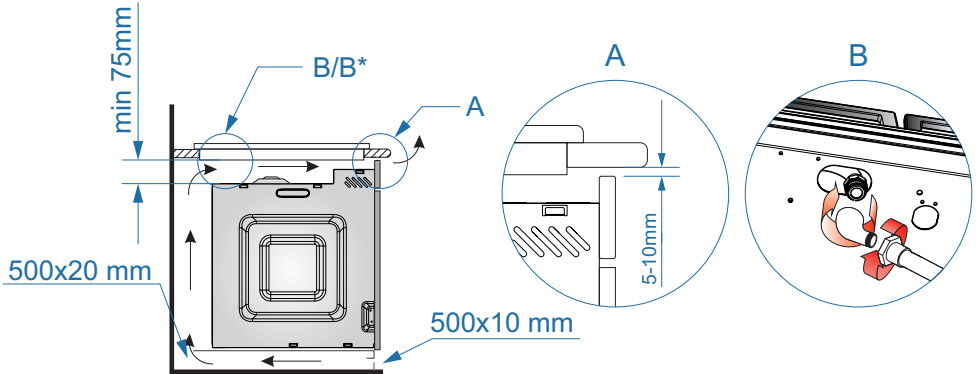
## Requirements for the place of installation

- Kitchen should be dry, airy and well ventilated according to the applicable technical regulations.
- The room should be equipped with a ventilation system to extract the combustion gases outside the room. The ventilation system must include a ventilation grille or a hood. Hoods must be installed in accordance with the accompanying operating instructions.
- The room should also allow air supply which is necessary for the correct combustion of gas. The air supply should be not less than 2 m<sup>3</sup>/h per 1 kW of the burners power. Natural airflow from the outside may be provided or through a duct with a cross-section of at least 100 cm<sup>2</sup>, or indirectly from the adjacent rooms that have ventilation ducts leading outside.
- The distance between the burners and the chimney exhaust should be at least 750 mm.



# INSTALLATION INSTRUCTIONS

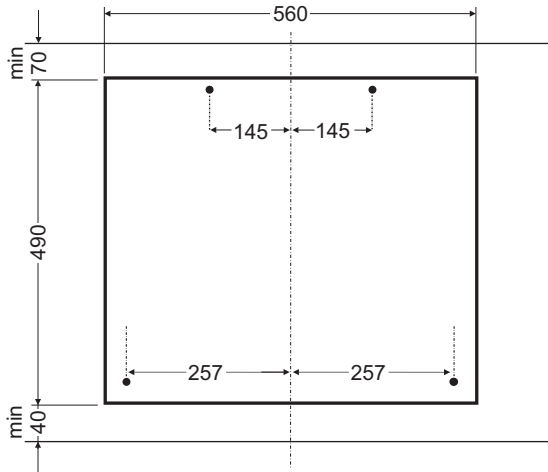
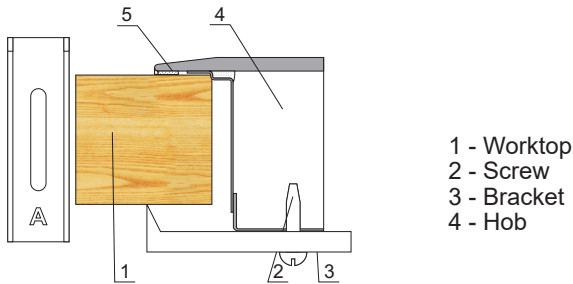
## Install gas hob



\*optional

# INSTALLATION INSTRUCTIONS

- prepare an opening in the worktop of a kitchen cabinet, as per the installation drawing
- connect the hob to a gas and electrical system in accordance with the instructions supplied,
- loosely attach fixing brackets to the bottom of the hob,
- remove dust from the worktop, insert hob into the opening and press in firmly,
- position fixing brackets (Fig.) perpendicularly to the hob's edge and tighten firmly,
- once you install the hob in the worktop, check if it operates, especially the flame failure cut-off and igniter.



# INSTALLATION

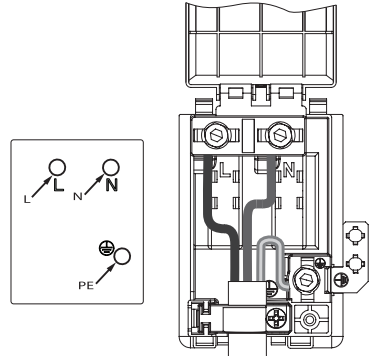
## Electrical connection

**Warning:** This appliance must be earthed.

The appliance must be installed by a competent electrician using a double pole control unit of 32 ampere minimum capacity with 3 mm minimum contact separation at all poles.


We recommend that the appliance is connected by a qualified electrician who is member of the N.C.E.I.C. and who will comply with the I.E.E. and local regulation.

- Access to the main terminal is gained by opening the terminal block cover at the rear of the appliance (use a small flat-bladed screwdriver).
- Connection should be made with 4 mm<sup>2</sup> twin and earth cable.
- First strip the wires, then push the cable through the cable clamp in the terminal block cover.
- Connect the cable to the terminal block and tighten the cable clamp screw (see diagram).
- Ensure the cable exits through the cable grip clamping on the outer sheath of the cable and fix in place by tightening the fixing screw.
- Ensure all screws are adequately tightened. Do not over tighten as you may risk damaging the screw threads.
- Close the terminal box, ensuring that the cover is engaged on the locking tabs.
- The supply cable must be positioned away from any hot parts of the rear of the appliance. If this cannot be done then another method of protecting the supply cable from the hot parts must be used i.e. Heat resistant sleeving or high temperature cables.



**230V 1N~**

L - Live (Red or Brown)  
N - Neutral (Black or Blue)  
PE - Earth (Green/Yellow or sleeving)

Grounding lead must be connected to screw with  symbol.

The power supply cable must have these minimum requirements:

- Type: HO5VV-F (PVC insulated and sheathed flexible cable)
- 3 cores x 4 mm<sup>2</sup> .

# INSTALLING

## Tips for the installer

### The installer must:

- **Have** appropriate qualification
- **Read** the information on the nameplate or information sticker concerning the type of gas, for which the appliance is intended. This information must be compared with the gas supply specification at the place of installation.
- **Check**
  - effectiveness of ventilation, i.e. exchange of air in the room.
  - tightness of gas fittings.
  - proper operation all the functional components.
- **For proper operation of igniters and flame failure cut-off device**, adjust the position of the gas knobs with the supplied washers,
  - check the operation of igniters and flame failure cut-off device,
  - In the event of faulty operation, remove the knob, make adjustments by inserting a washer (washers) on the valve pin,
  - once adjusted, protect the system with a clamping washer and replace the knob.
- **Provide the user** with the gas hob installation certificate and give instructions on the appliance operation.

The appliance has an G 1/2" threaded pipe connector to connect it to the gas system. The LPG (propane-butane) hob version has the connector terminated with a hose tip  $\varnothing$  8 x 1 mm.

Gas supply hose should not touch the metal parts of the cover.



**ENSURE the connections are tight.**

**Once you install the appliance, check all connections for leaks, for example using soapy water. Do not use fire to check the connections.**



**Carefully read the operating instructions supplied and follow all guidelines.**

### **CAUTION!**

You are dealing with gas. The appliance must be supplied with the type of gas specified by the manufacturer.

**Only a qualified person must install the appliance.**

Information on the type of gas for which the appliance is designed is given on the nameplate.



### **CAUTION!**

**Only a qualified person must connect the appliance to a liquid gas cylinder or an existing system, following all safety regulations.**

## INSTALLING

---

### Adapt the hob to a particular type of gas

This may be performed by an installer with the appropriate qualifications only.

If the gas, which the hob will be supplied with is different from the gas type specified by the manufacturer, i.e. G20 20 mbar, replace the burner nozzles and adjust the flame.

### **CAUTION!**

Hobs supplied by the manufacturer are fitted with burners designed for the gas specified on the nameplate and in the warranty.

Nameplate is located on the bottom of the housing and lists information on the type of gas the appliance is intended for.

In order to adapt the hob to another gas type:

- replace the nozzles (see table),
- adjust the valves for a reduced flow.

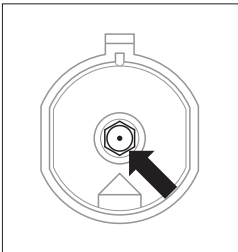
# INSTALLING

**SOMIPRESS burner.** (indicated "SOMIPRESS." on the burner body)

Type of gas	Burner			
	auxiliary	medium	large	Wok
G20 2H 20mbar	0,52	0,67	0,83	0,37 + 2 x 0,55



**Once converted, place a sticker indicating the gas type for which the appliance is intended.**



*Replace burner nozzle: unscrew the nozzle using a special wrench no. 7 and replace with a new one suitable for the new gas type (see table above).*

**Adjust the valves for a reduced flow.**

Burners	Flame	Convert the appliance from LPG to natural gas	Convert the appliance from natural gas to LPG
Top burners	Full flame	Replace burner nozzle with the appropriate nozzle according to the table.	Replace burner nozzle with the appropriate nozzle according to the table.
	Economic flame	Gently loosen the adjusting screw and adjust the flame.	Slightly tighten the adjusting screw, check the flame stability and size.



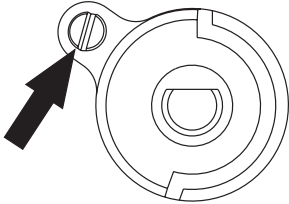
## INSTALLING

---

### ▶ Adjust the valves

To adjust the valves turn the burner knob to "economic flame" position and ignite the flame.

For COPRECI valves, remove the knob and adjust the size of an economic flame with a screwdriver.



In order to check the flame, heat up the burner on a full flame for about 10 min., and then turn the burner knob to an economic flame position. The flame should not go out or jump on the nozzle. However, if it does, readjust of the valves.



Conversion of the appliance to a different gas type than specified by the manufacturer on the nameplate or purchasing an appliance that is intended for a different gas type than provided in the building, is entirely up to the user and installer.

# OPERATION

## ▶ Burner operation

To achieve significant energy savings, use the appliance as instructed in these operating instructions, make the appropriate adjustments and use suitable pots.

Potential energy savings:

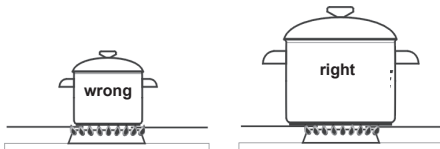
- up to 60%, when using appropriate pots,
- up to 60%, when using the appliance according to the instructions and correctly adjusting the flame when cooking.

Keeping the burners clean is crucial to an efficient energy consumption by the appliance (especially the flame outlets and nozzles).

## Choice of cookware

Make sure that the diameter of the bottom of the pot is always slightly larger than the crown of the burner flame, and the pot itself is covered with a lid. It is recommended that the pot diameter is approximately 2.5 - 3 times larger than the burner:

- small burner — pot diameter of 100 to 140 mm,
- medium burner — pot diameter of 140 to 220 mm,
- large burner — pot diameter of 200 to 240 mm
- WOK burner — pot diameter of 220 to 260 mm
- the pot height should not be greater than its diameter



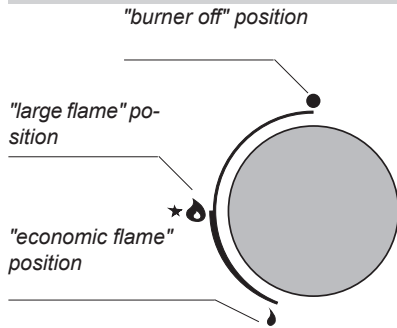
## Cookware lid:

Lid prevents heat from escaping and thus reduces heating time.



**Do not use cookware that protrude over the edges of the hob.**

## Burner control knob

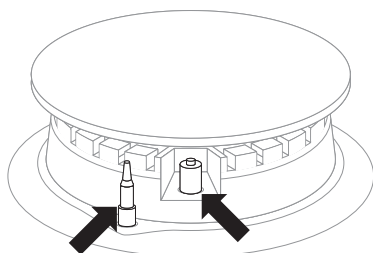


## OPERATION

### Using the hob equipped with igniter knobs ("Zp" model)

- push down the knob of a selected burner until you feel resistance and turn left to the "large flame" position 🔥
- hold the knob until gas ignites
- once flame ignites, release the knob and adjust flame size.

### Using the hob equipped with a flame-failure cut-off device ("Zt" model)



In hobs equipped with a flame-failure cut-off device, hold the pushed down knob in the "large flame" position for approximately 10 seconds to activate the a flame-failure device 🔥.



Repeat the above step if flame does not ignite.

If flame is extinguished, the flame-failure device will cut off gas supply within about 60 seconds.

You can open and control the gas supply to the burners using knobs with flame-failure cut-off device (Zt models).

# OPERATION

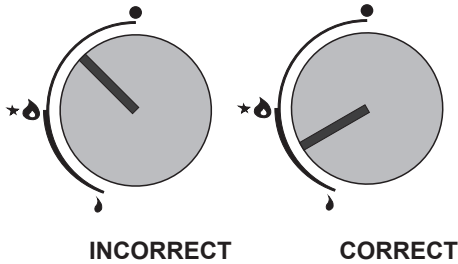
---

## Adjust flame

---

Flame from a properly adjusted burner is pale blue with a clearly outlined inner cone. You can adjust flame by setting the knob to different positions.

- 🔥 large flame
- 🔥 small flame ( "economic" )
- burner off ( no gas supply )



This example shows you and to operate the knob and adjust flame size.

To optimise cooking set the knob to 🔥 "large flame" initially to boil your food, then set it to 🔥 "small flame" to continue the cooking process. Adjust the flame size depending on your needs.

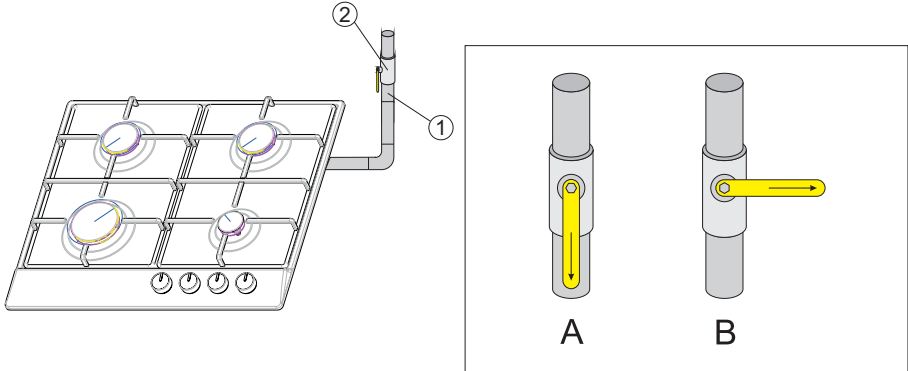


**Do not place the knob between the ● burner off and 🔥 large flame position.**

## OPERATION

### In the event a gas leak risk

- 1 gas system
- 2 gas system shut-off valve
- A valve "open"
- B valve "closed"



### In the event of a fault

- turn off the burners
- close the gas system shut-off valve
- Ventilate the kitchen
- report the fault to a service centre or a qualified gas fitter to have it repaired
  
- do not use your gas hob until the fault has been repaired.



Some minor faults may be repaired by the user, according to the instructions supplied.

**BURNER** does not ignite, I can smell leaking gas

- close the burner valves
- close the gas system shut-off valve
- Ventilate the room
- remove the burner
- clean and purge the flame outlets
- replace the burner
- retry to ignite the burner

**NO FLAME? HAVE THE APPLIANCE REPAIRED!**

## CLEANING AND MAINTENANCE

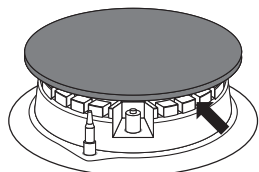
Proper routine maintenance and cleaning of the appliance can significantly extend its trouble-free operation.



**Before cleaning or other maintenance work, always unplug the appliance or use the main electrical system circuit breaker to cut off power. Do not begin cleaning until the hob has cooled. Do not use abrasive scouring powders. Do not use steam cleaning equipment for cleaning.**

### Burners, hob grid

- If the burners and grid become soiled, remove them from the hob and wash in warm water with some dishwashing liquid. Wipe dry. Once the grid is removed, thoroughly clean the area under the burner and wipe it dry with a soft cloth. Flame outlets and burner head must be clean at all times, see figure below. Clean the gas nozzles using a thin copper wire. Do not use steel wire or ream the holes.



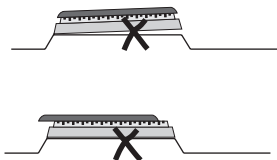
**All burner parts must be always dry. Water droplets may block the gas flow and cause the burner to operate incorrectly.**

Make sure that burner is correctly re-assembled after cleaning.

CORRECT



INCORRECT



- Use mild detergents to wash enamel surfaces. When cleaning do not use abrasive cleaners such as scouring powders, pastes, abrasive stones, pumice, metal scrubbers, etc.
- Thoroughly clean the stainless steel hob before use. Especially make sure to remove any adhesive residue or self-adhesive tape applied when the appliance was packaged.
- Clean the hob after each use. Do not allow the hob to get heavily stained; particularly from burnt-on spillages from boiled over liquids.

### Regular inspections

In addition to normal cleaning and maintenance:

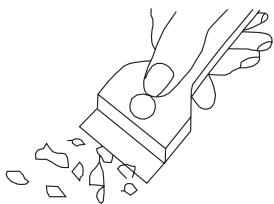
- carry out periodic checks of touch controls and other elements. After the warranty expires, have authorised service inspect the appliance every two years,
- repair any operational faults,
- carry out periodic maintenance of the hob,

## CLEANING AND MAINTENANCE

---

### Cleaning after each use

- Wipe light stains with a damp cloth without detergent. The use of dishwashing liquid may cause a bluish surface discolouration. These persistent stains cannot always be removed right away, even using a special cleaner.
- **Firmly adhering dirt can be carefully removed with a scraper. Then wipe the cooking surface with a damp cloth.**



*Scraper to clean the hob*

### Removing stains

- **Bright stains of pearl colour (residual aluminium)** can be removed from the cool hob using a special cleaning agent. Limestone residue (eg. after evaporated water) can be removed by vinegar or a special cleaning agent.
- Do not turn off the cooking zone when removing sugar, food containing sugar, plastic and aluminium foil. Immediately and thoroughly scrape the leftovers off the hot cooking zone using a sharp scraper. Once the bulk of the stain is removed the hob can be turned off and clean the cooled off cooking zone with a special cleaning agent.

Do not use any descaling agents to clean the hob.

Special cleaners are available in supermarkets, electrical and home appliance shops, drug stores, as well as retail food shops and kitchen showrooms. Scrapers can be purchased in DIY and construction equipment stores, as well as in shops carrying painting accessories.

Never apply a detergent on the hot cooking zone. It is best to let the cleaner dry and then wipe it wet. Any traces of the detergent should be wiped off clean with a damp cloth before re-heating. Otherwise, it can be corrosive.

**Warranty will be void if you do not follow the above guidelines!**

## TROUBLESHOOTING

---

In the event of any fault:

- turn off the appliance
- disconnect the power supply
- have the appliance repaired
- based on the instructions given in the table below, some minor issues can be corrected by the user. Please check the consecutive points in the table before you refer the repair to customer service.

PROBLEM	POSSIBLE CAUSE	REMEDY
1.The appliance does not work	- no power	-check the fuse, replace if blown
2.Burner does not ignite	- soiled flame outlet	- close the gas shut-off valve, close the burners valves, ventilate the room, remove the burner, clean and clear out the flame outlets
3.Igniter does not work	- no power	- check the fuse, replace if blown
	- no power	- Open the gas supply valve
	- soiled (greasy) igniter	- clean the igniter
	- burner knob pushed down not long enough	- hold down the knob until you see a full flame around the burner crown
4.The flame goes out when igniting the burner	- burner knob released too soon	- hold the knob down for longer in a "large flame" position



## PRODUCT INFORMATION

Product information given in accordance with Commission Regulation (EU) No 66/2014 supplementing Directive of the European Parliament and Council Directive 2009/125/EC with regard to eco-design requirements for household ovens, hobs and range hoods

### Household gas hobs

R1			AGVH6250BL
R2	Model identifier	PGA4.1ZpZtApGb	
R3		21350	
S		Hob type (electric / gas / gas-electric)	O / V / O
TT	Number of gas burners		4
Y1	Energy efficiency for each gas burner (EE gas burner)	FL	55,5
Y2		RL	55,5
Y3		RR	55,5
Y4		FR	-
Y5		C	55,5
Z	Energy efficiency of gas hob (EE gas hob)		55,5

**In order to determine compliance with the eco-design requirements, the measurement methods and calculations of the following standards were applied:**

EN 60350-1  
 EN 60350-2  
 EN 15181  
 EN 30-2-1





---